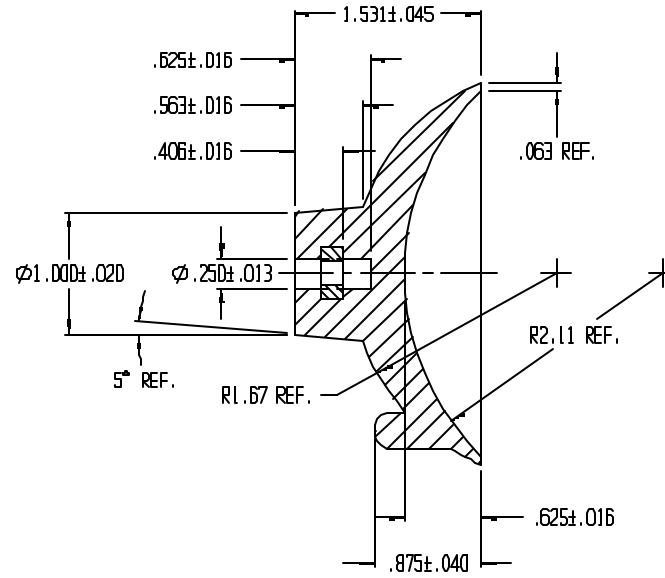
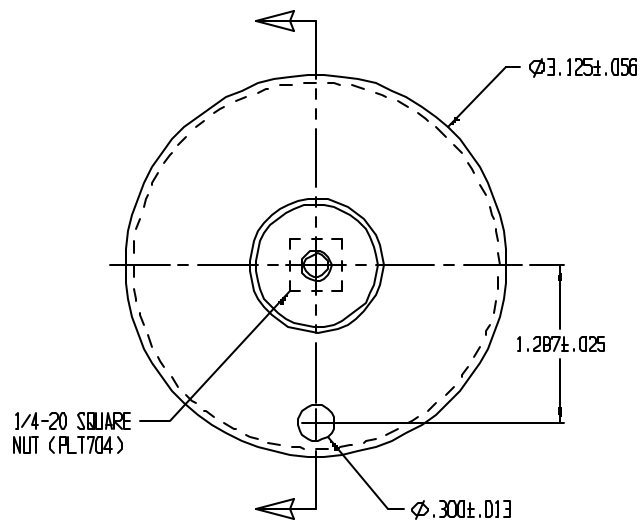


REVISIONS					
REV.	BY	DESCRIPTION	DATE	APPROVED	
6	MAJ	REVISED AND REDRAWN TO CALKEY	06/21/02		



NOTES:

- 1/4-20 SQUARE NUT TO BE SECURELY BONDED TO RUBBER.
- REAM FLASH FROM THREADS.

UNLESS OTHERWISE SPECIFIED DIMENSIONS ARE IN INCHES		LAVELLE IND., INC. 665 McHENRY ST. BURLINGTON, WIS. 53105 Ph. 262/183-2434 Fax 262/183-5807	
TOLERANCES ARE DECIMALS .010 .015 .020 .030 .050 .075 .100 FIT H7/g6 H7/h6 H7/h7 ANGULAR		TITLE SUCTION CUP	
DRAWN W A DEAN		DATE 01/14/99	
CHECK		DATE	
DESIGN		DATE	
MATERIAL F55204		SHEET OF 1 1	
SIZE B		SCALE 1x	
PART NO. 312HN		REV. 6	
FILE PATH \\VALD\FILES\Calkey\parts\stock\Suc-Cups\312HN.prt			