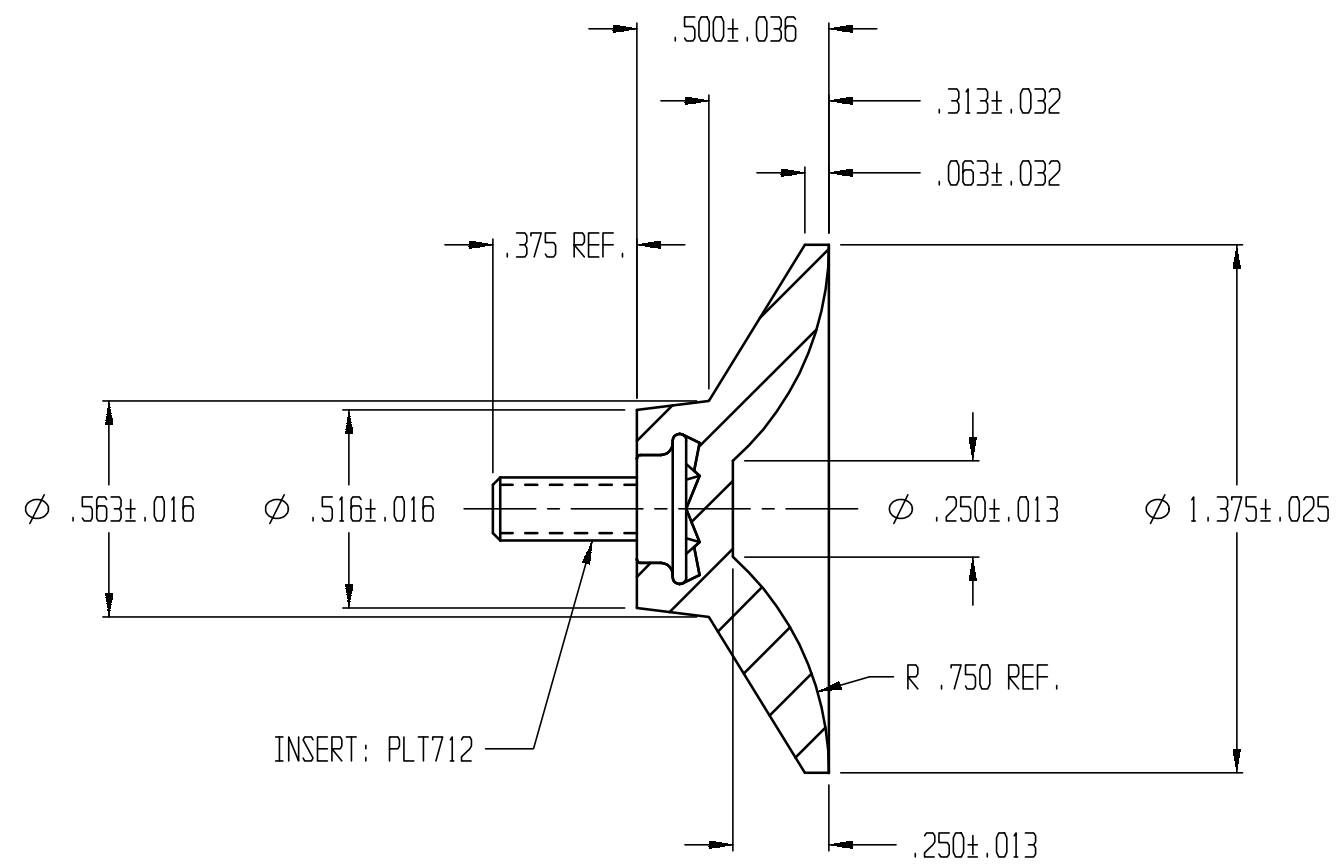
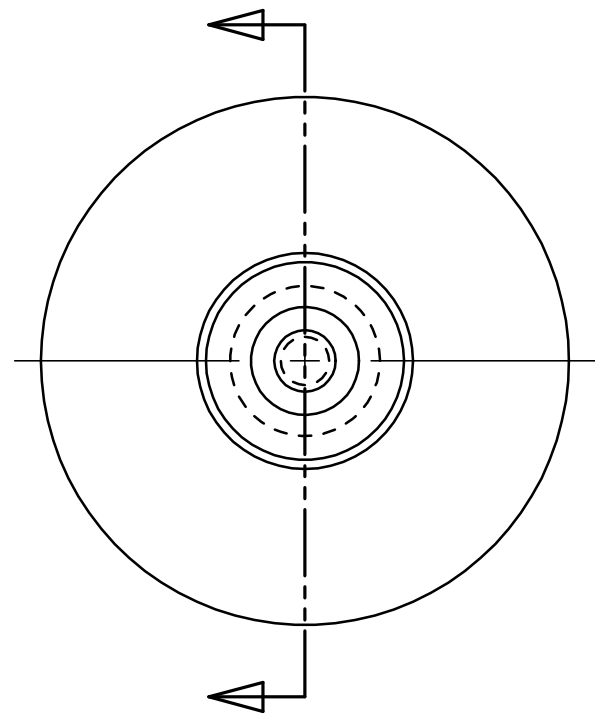



REVISIONS					
ECN	REV.	BY	DESCRIPTION	DATE	APPROVED
191	4	MAD	REDRAWN TO CADKEY	04/01/02	



UNLESS OTHERWISE SPECIFIED DIMENSIONS ARE IN INCHES		 LAVELLE IND., INC. 665 McHENRY St. BURLINGTON, WISC. 53105 Ph. 414/763-2434 Fax 414/763-5607	
DECIMALS	TOLERANCES ARE MM		
DRAWN M A DEAN		DATE 1/13/93	
CHECK		DATE	
DESIGN		DATE	
TITLE SUCTION CUP		MATERIAL F55011	
SIZE B		SCALE 2X	
PART NO. 138MS2		SHEET 1	
REV. 4		OF 1	
FILE g:\cadkey\parts\stock\suc-cups\138MS2.prt			