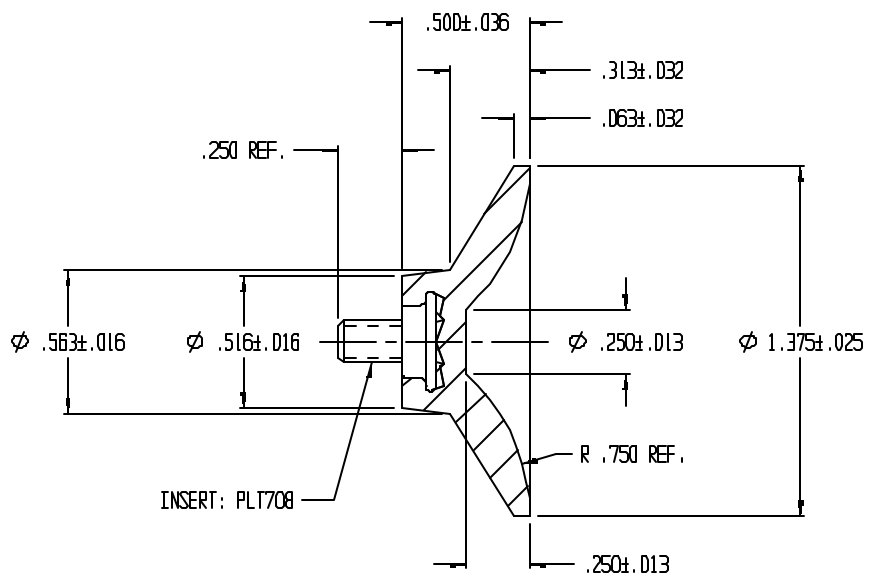
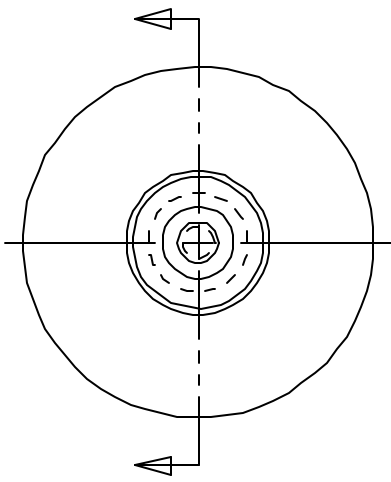
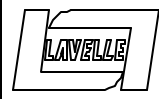


4 3 2 1

REVISIONS					
REV.	ZONE	BY	DESCRIPTION	DATE	APPROVED
4		MAD	REDRAWN TO CADKEY	11/17/97	



UNLESS OTHERWISE SPECIFIED  
DIMENSIONS ARE IN INCHES  
TOLERANCES ARE  
DECIMALS MM ANGULAR



**LAVELLE IND., INC.**  
665 McHENRY St. BURLINGTON, WISC. 53105  
Ph. 414/763-2434 Fax 414/763-5607

TITLE  
**SUCTION CUP**

MATERIAL  
**F55011**

SHEET OF  
**1 1**

DRAWN  
**M A DEAN**

DATE  
**1/13/93**

SIZE SCALE PART NO. REV.  
**B 2X 138MS1 4**

CHECK

DATE

DESIGN

DATE

FILE  
**g:\cadkey\parts\stack\suc-cups\prt**

4 3 2 1