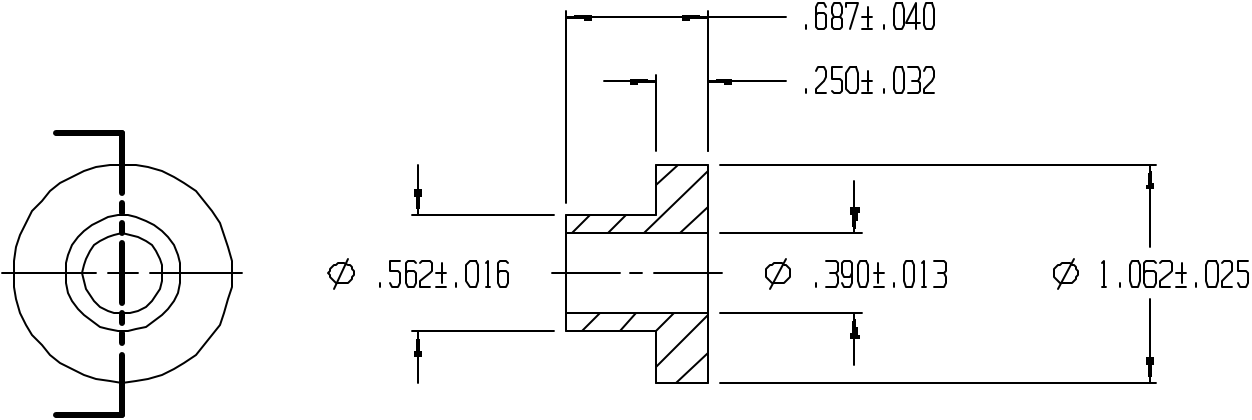


REVISIONS					
REV.	ZONE	BY	DESCRIPTION	DATE	APPROVED
3		MAD	REDRAWN TO CADKEY	10/6/97	



UNLESS OTHERWISE SPECIFIED DIMENSIONS ARE IN INCHES		LAVELLE		LAVELLE IND., INC.	
TOLERANCES ARE DECIMALS MM ANGULAR		665 McHENRY St.		BURLINGTON, WISC. 53105	
		Ph. 414/763-2434		Fax 414/763-5607	
DRAWN M A DEAN		DATE 12/17/97		TITLE BUSHING	
CHECK		DATE		MATERIAL F55004	
DESIGN		DATE		SHEET OF 1 1	
		SIZE A		SCALE 1X	
		PART NO. 1550		REV. 3	
		FILE g:\cadkey\parts\stock\bushings\1550.prt			