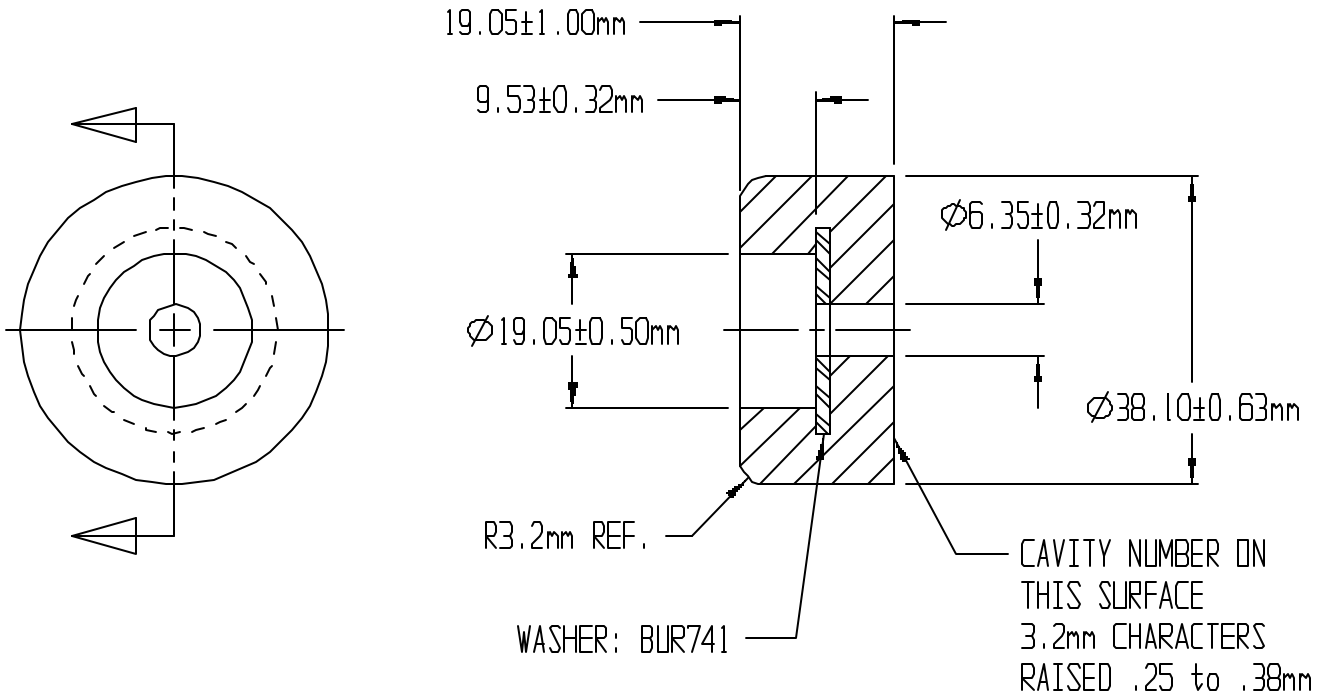


REVISIONS					
ECN	REV.	BY	DESCRIPTION	DATE	APPROVED
489	5	MAD	CHANGED DIMENSIONS TO MM REVISED MAT'L Z1 CALLOUT REVISED NOTE #2	06/11/02	



NOTES:

- MATERIAL: ASTM D2000-01 M2AA706 A13 Z1 Z2
Z1 = NO RECYCLED RUBBER
Z2 = NON MARKING
- PACKAGING: 25 PCS./BAG. BAG MUST BE LABELED AS "1 PK, 25 PCS, MC791RW, BUMPER w/WASHER. MASTER CARTON TO CONTAIN 10 BAGS AND MUST BE LABELED AS MC791RW, 10 PCS.

UNLESS OTHERWISE SPECIFIED DIMENSIONS ARE IN INCHES		LAVELLE		LAVELLE IND., INC.	
TOLERANCES ARE DECIMALS MM ANGULAR		665 McHENRY St.		BURLINGTON, WISC. 53105	
TITLE RECESS BUMPER					
MATERIAL SEE NOTE #1				SHEET 1	OF 1
DRAWN M A DEAN	DATE 06/11/02	SIZE A	SCALE 1X	PART NO. 791RW	REV. 5
CHECK	DATE	FILE PATH W:\CAD FILES\Cadkey\parts\stock\recsbspr\Web Site\791RWs.prt			
DESIGN	DATE				

ALL INFORMATION CONTAINED IN THIS DOCUMENT IS THE SOLE PROPERTY OF LAVELLE IND., INC. AND MAY NOT BE USED WITHOUT PRIOR WRITTEN APPROVAL