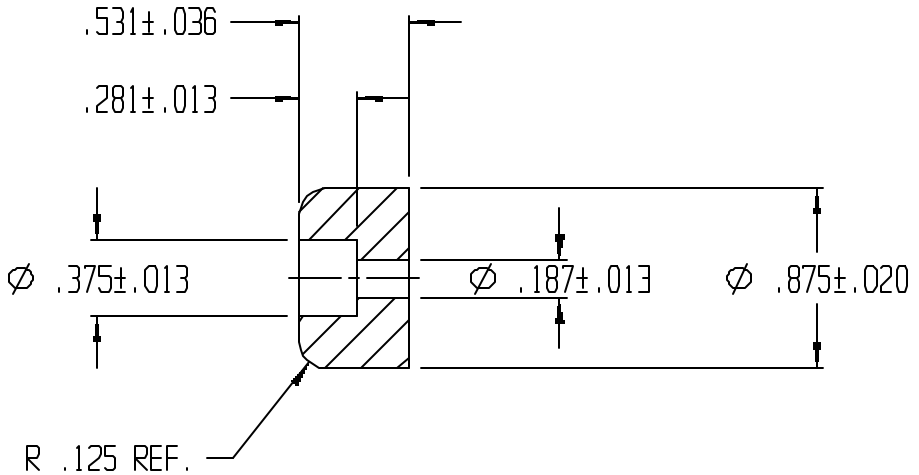
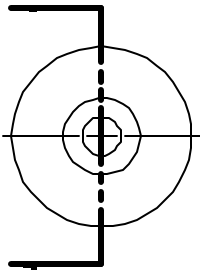


REVISIONS					
REV.	ZONE	BY	DESCRIPTION	DATE	APPROVED
3		MAD	REDRAWN TO CADKEY	9/11/97	
4		MAD	ADDED REF. TO R .125	2/13/98	



UNLESS OTHERWISE SPECIFIED DIMENSIONS ARE IN INCHES		LAVELLE		LAVELLE IND., INC.	
TOLERANCES ARE DECIMALS      MM      ANGULAR		665 McHENRY St.		BURLINGTON, WISC. 53105	
		Ph. 414/763-2434		Fax 414/763-5607	
		TITLE RECESS BUMPER			
		MATERIAL F57006		SHEET 1	OF 1
DRAWN M A DEAN	DATE 10/3/92	SIZE A	SCALE 1X	PART NO. 116R	REV. 4
CHECK	DATE	FILE g:\cadkey\parts\stack\recssbpr\116r.prt			
DESIGN	DATE				