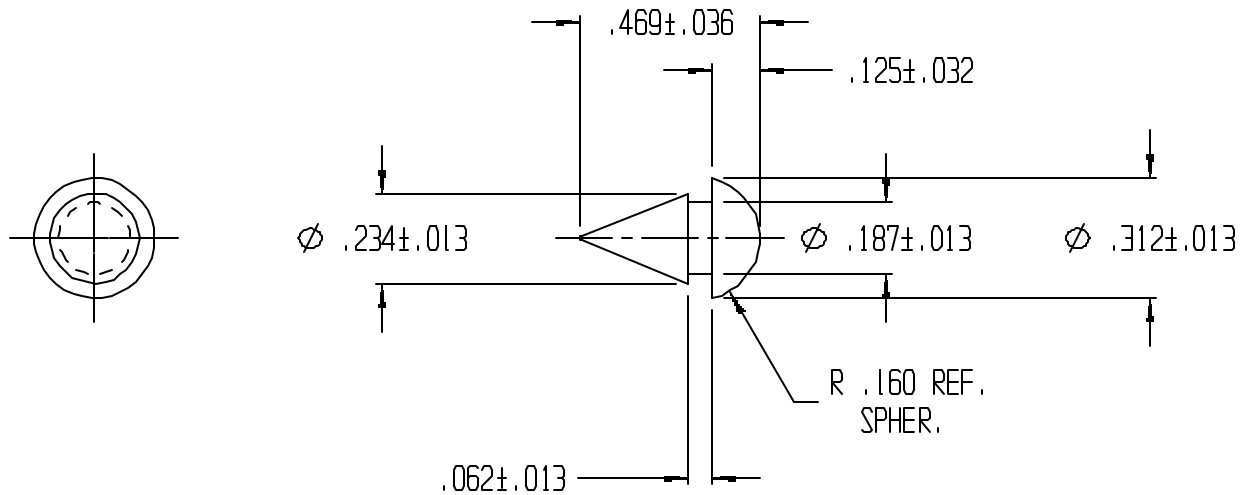


REVISIONS					
REV.	ZONE	BY	DESCRIPTION	DATE	APPROVED
3		MAD	REDRAWN TO CADKEY	12/3/98	



UNLESS OTHERWISE SPECIFIED DIMENSIONS ARE IN INCHES		LAVELLE		LAVELLE IND., INC.	
TOLERANCES ARE DECIMALS MM ANGULAR				665 McHENRY St. BURLINGTON, WISC. 53105 Ph. 414/763-2434 Fax 414/763-5807	
DRAW M A DEAN		DATE 10/28/92		TITLE PLUG BUMPER	
CHECK		DATE		MATERIAL F55004	
DESIGN		DATE		SHEET OF 1 1	
		SIZE A		SCALE 2X	
		PART NO. 12-4		REV. 3	
		FILE PATH g:\cadkey\parts\stock\plugbpr\12-4.prt			