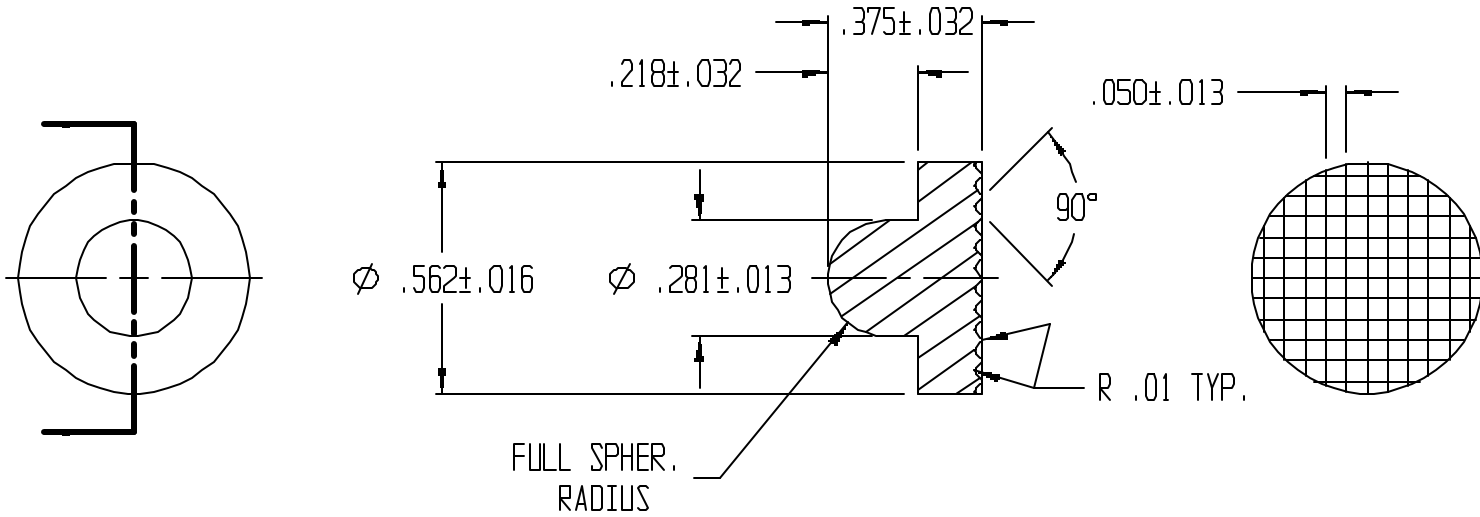


REVISIONS					
REV.	ZONE	BY	DESCRIPTION	DATE	APPROVED
3		MAD	REDRAWN TO CADKEY	10/13/97	



UNLESS OTHERWISE SPECIFIED DIMENSIONS ARE IN INCHES		LAVELLE		LAVELLE IND., INC.	
TOLERANCES ARE DECIMALS MM ANGULAR		665 McHENRY St.		BURLINGTON, WISC. 53105	
		Ph. 414/763-2434		Fax 414/763-5607	
TITLE STEM BUMPER					
MATERIAL F57006				SHEET 1	OF 1
DRAWN M A DEAN	DATE 10/26/92	SIZE A	SCALE 2X	PART NO. 629NS	REV. 3
CHECK	DATE	FILE g:\cadkey\parts\stock\bumpers\629ns.prt			
DESIGN	DATE				