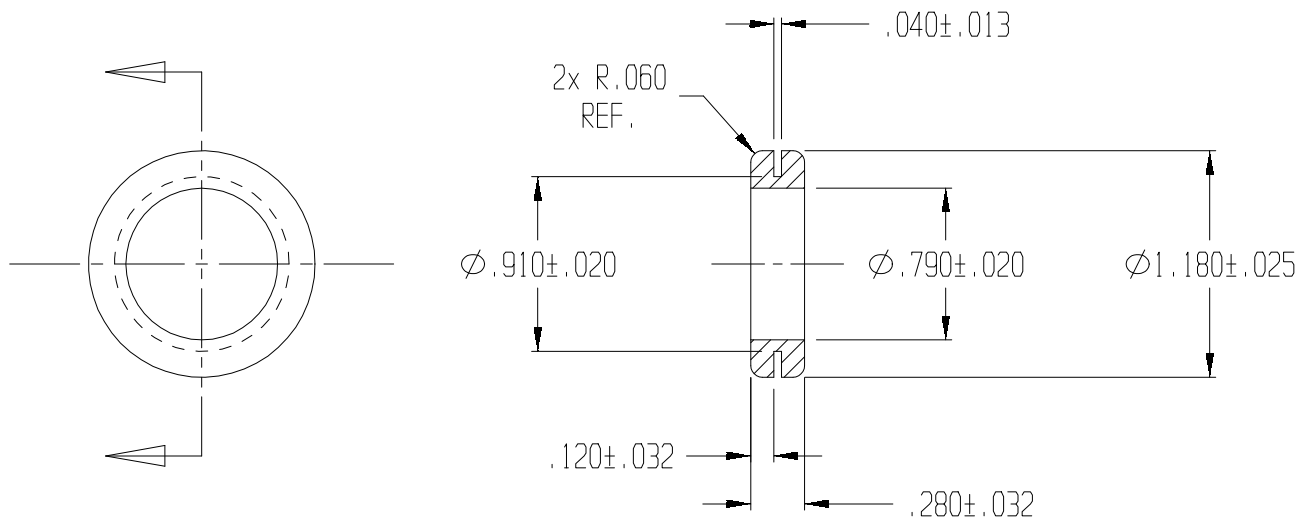


REVISIONS					
REV.	ZONE	BY	DESCRIPTION	DATE	APPROVED
2		MAD	REDRAWN TO CADKEY	09/17/01	



UNLESS OTHERWISE SPECIFIED  
DIMENSIONS ARE IN INCHES  
TOLERANCES ARE  
DECIMALS MM ANGULAR



LAVELLE IND., INC.  
665 McHENRY St. BURLINGTON, WISC. 53105

TITLE GROMMET

MATERIAL F55004 SHEET 1 OF 1

DRAWN M A DEAN DATE 1/17/97

SIZE A SCALE 1x PART NO. 9400 REV. 2

CHECK DATE

DESIGN DATE

FILE PATH g:\cadkey\parts\stock\grommet\9400.prt