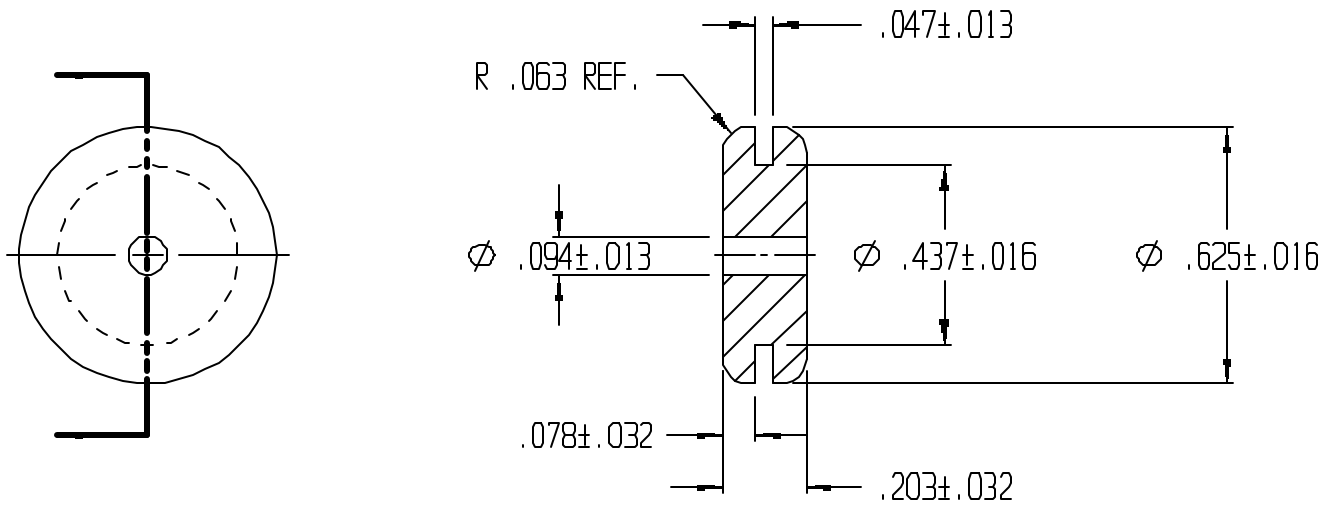


REVISIONS					
REV.	ZONE	BY	DESCRIPTION	DATE	APPROVED
3		MAD	REDRAWN TO CADKEY	10/20/97	
4		MAD	ADDED REF. TO R .063	2/17/98	



UNLESS OTHERWISE SPECIFIED DIMENSIONS ARE IN INCHES		LAVELLE		LAVELLE IND., INC.	
TOLERANCES ARE DECIMALS MM ANGULAR		665 McHENRY St.		BURLINGTON, WISC. 53105	
		Ph. 414/763-2434		Fax 414/763-5607	
TITLE		GROMMET			
MATERIAL		F55004		SHEET	OF
DRAWN		DATE		1	1
M A DEAN		11/13/92			
CHECK		DATE		SIZE	SCALE
				A	2X
DESIGN		DATE		PART NO.	REV.
				9061	4
		FILE			
		g:\cadkey\parts\stock\grommets\9061.prt			