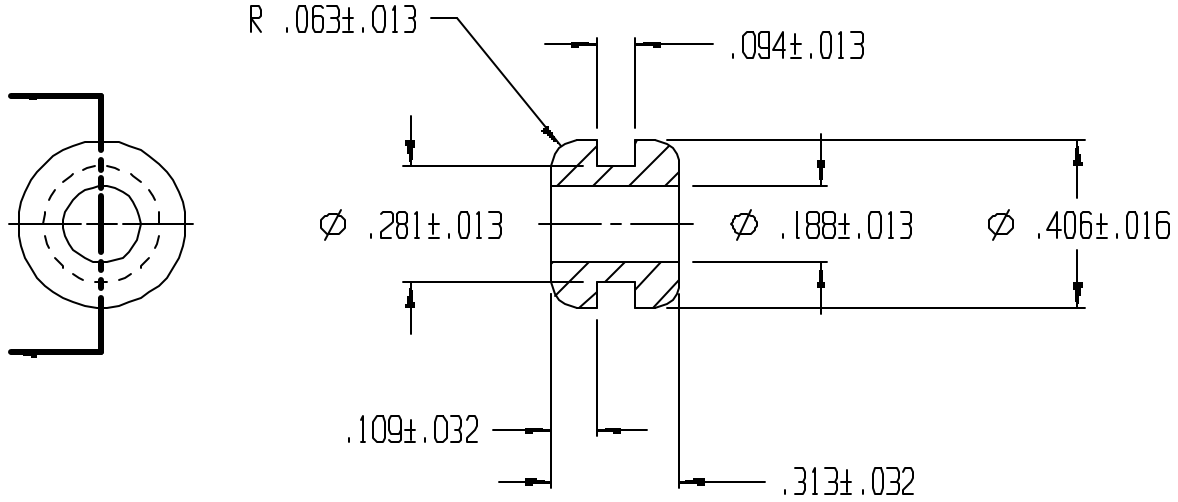


REVISIONS					
REV.	ZONE	BY	DESCRIPTION	DATE	APPROVED
3		MAD	REDRAWN TO CADKEY	11/5/97	



UNLESS OTHERWISE SPECIFIED DIMENSIONS ARE IN INCHES		LAVELLE IND., INC. 665 McHENRY St. BURLINGTON, WISC. 53105 Ph. 414/763-2434 Fax 414/763-5607	
TOLERANCES ARE DECIMALS      MM      ANGULAR		TITLE GROMMET	
DRAWN M A DEAN		MATERIAL F55004	
DATE 11/10/92		SHEET OF 1 1	
CHECK	DATE	SIZE A	SCALE 2X
DESIGN	DATE	PART NO. 9024	REV. 3
FILE g:\cadkey\parts\stock\grommets\9024.prt			