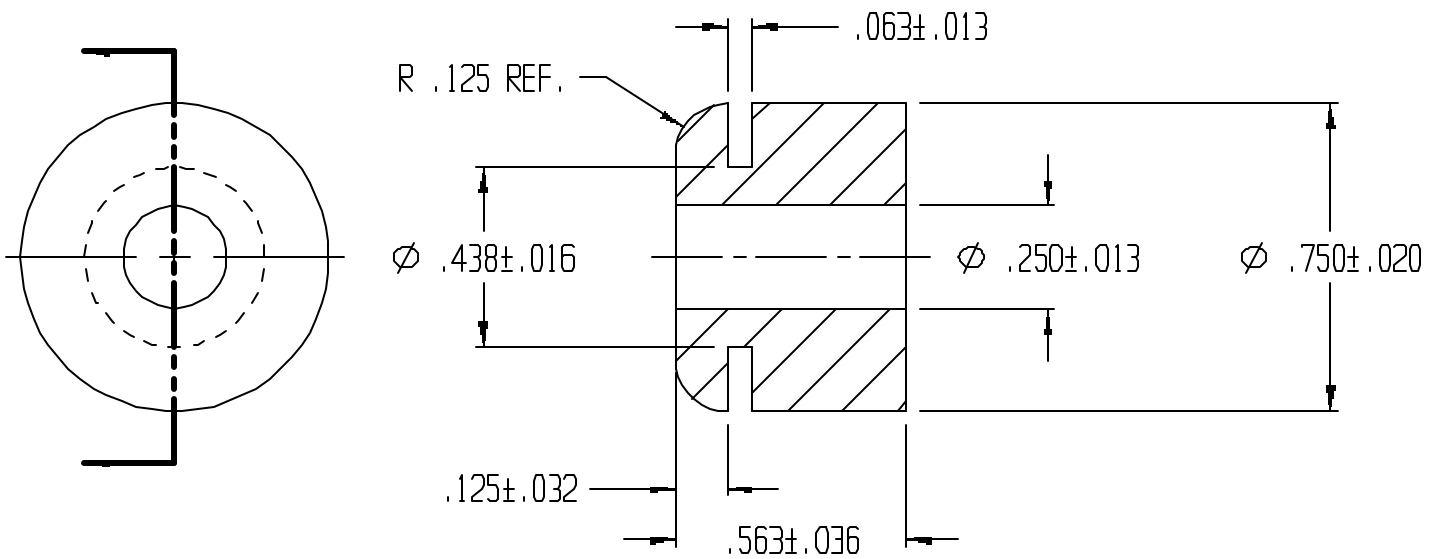


REVISIONS					
REV.	ZONE	BY	DESCRIPTION	DATE	APPROVED
3		MAD	REDRAWN TO CADKEY	11/10/97	
4		MAD	ADDED REF. TO R .125	3/5/98	



UNLESS OTHERWISE SPECIFIED DIMENSIONS ARE IN INCHES		LAVELLE		LAVELLE IND., INC.	
TOLERANCES ARE DECIMALS MM ANGULAR		665 McHENRY St.		BURLINGTON, WISC. 53105	
		Ph. 414/763-2434		Fax 414/763-5607	
TITLE		GROMMET			
MATERIAL		F55004		SHEET	OF
DRAWN M A DEAN		DATE 11/16/92		1	1
CHECK		DATE		SIZE	SCALE
DESIGN		DATE		A	2X
		PART NO.		1137	
		FILE		g:\cadkey\parts\stock\grommets\1137.prt	
		REV.		4	