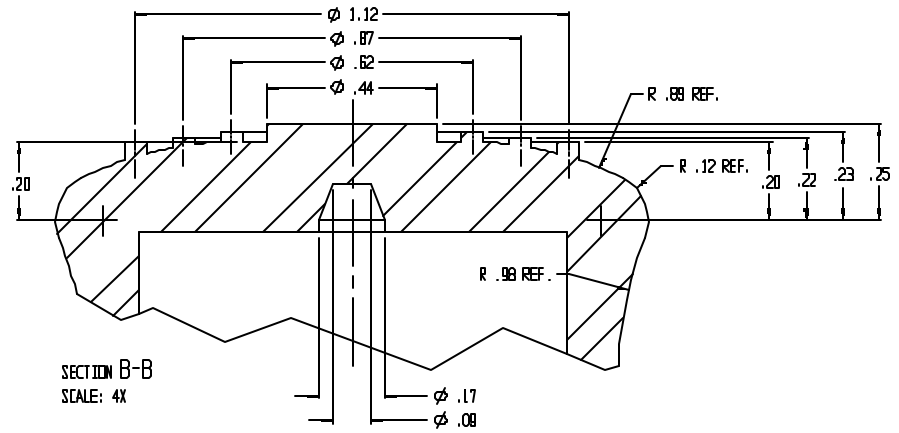
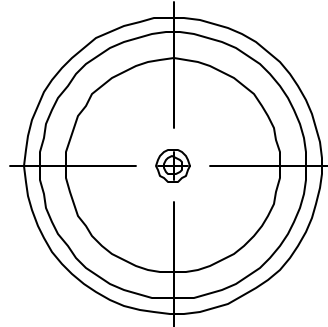
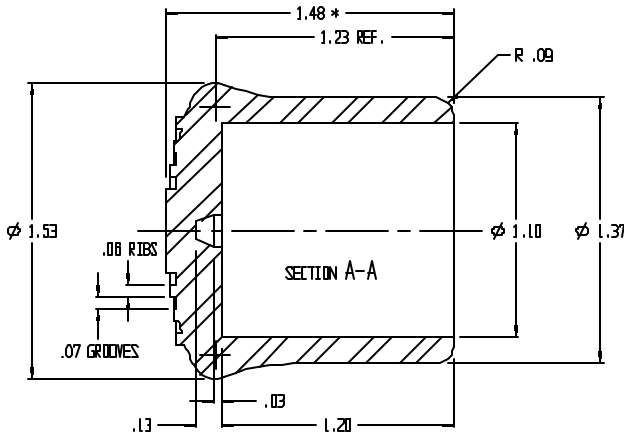
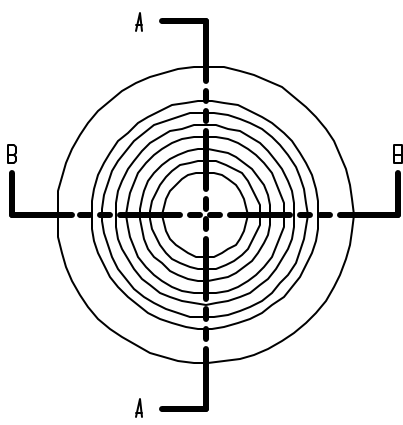


REVISIONS					
ECN NO.	ZONE	BY	DESCRIPTION	DATE	APPROVED
3		MAD	REVISED DIM'S TO TWO (2) PLCS.	5/15/97	
4		MAD	REVISED TO AGREE V/TOOL PRINT.	10/10/97	
5		MAD	REVISED TOLERANCES TO RMA 'A4' BASIC	12/10/97	



SECTION B-B
SCALE: 4X

RMA TOLERANCES: A4 BASIC				PART No.	COLOR	MAT'L	LAVELLE			LAVELLE IND., INC.		
SIZE (INCHES)				21B	BLACK	F56004	665 McHENRY ST. BURLINGTON, WISC. 53105			Ph. 414/763-2434 Fax 414/763-5607		
ABOVE	INCL.	FIXED	CLOSURE	21G	GRAY	F86201	TITLE			CRUTCH TIP		
D.0	D.40	±.013	±.032	21V	WHITE	F86101	MATERIAL			LIST		
D.40	D.63	.016	.036				SIZE			C		
D.63	1.00	.020	.040				SCALE			2X		
1.00	1.60	.025	.045				PART NO.			LIST		
1.60	2.50	.032	.050				SHEET			1		
2.50	4.00	.040	.056				OF			1		
4.00	6.30	.050	.063				REV.			5		
6.30	& OVER						FILE			g:\codkey\parts\stock\41ps\21ct.prt		
	MULTIPLY BY	.008	.010				DRAWN			M A DEAN		
							DATE			10/20/94		
							CHECK			DATE		
							DESIGN			DATE		