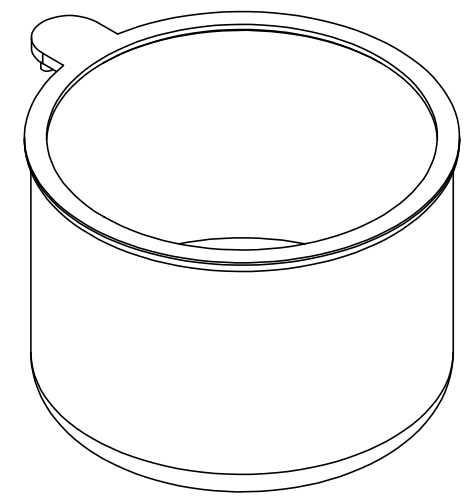
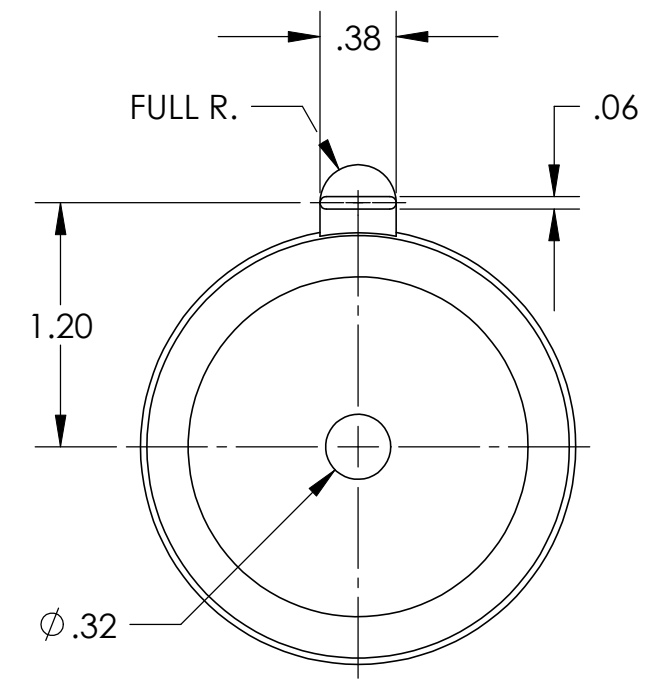
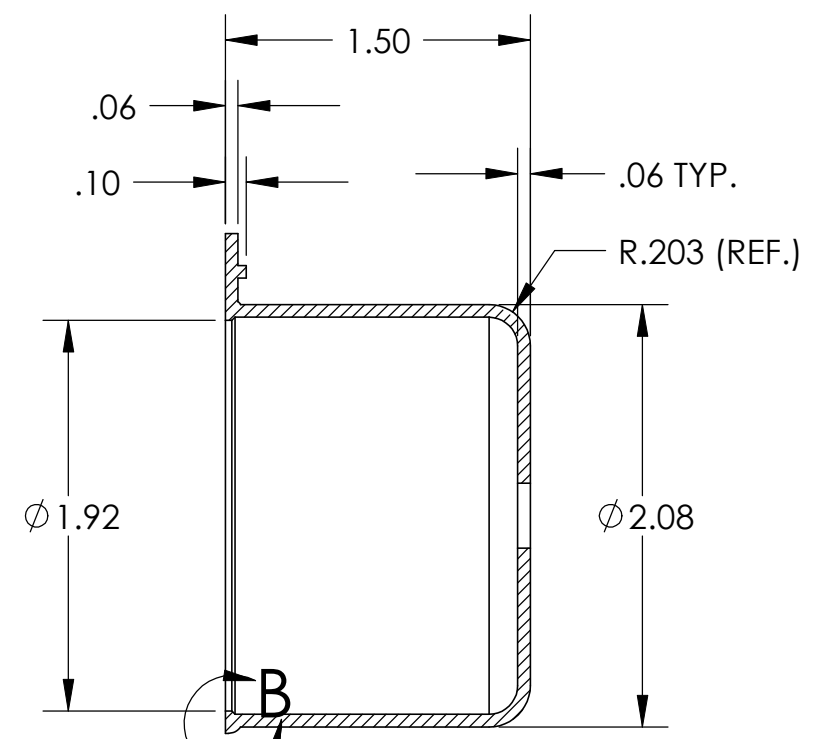
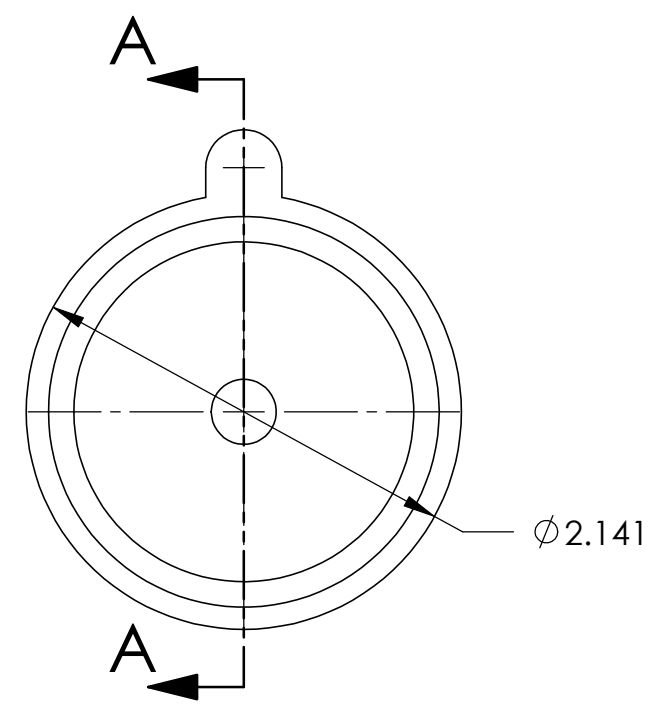
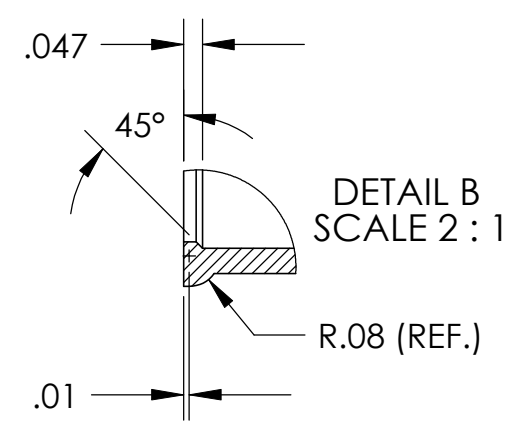


8 7 6 5 4 3 2 1

D
C
B
A



VOLUME: .77in³



UNLESS OTHERWISE SPECIFIED:		NAME	DATE
DIMENSIONS ARE IN INCHES TOLERANCES: PER RMA CLASS A3 "COMMERCIAL"	DRAWN	MAD	10/01/09
	CHECKED		
	ENG APPR.		
	MFG APPR.		
INTERPRET GEOMETRIC TOLERANCING PER:	PROPRIETARY AND CONFIDENTIAL THE INFORMATION CONTAINED IN THIS DRAWING IS THE SOLE PROPERTY OF LAVELLE INDUSTRIES, INC. ANY REPRODUCTION IN PART OR AS A WHOLE WITHOUT THE WRITTEN PERMISSION OF LAVELLE INDUSTRIES, INC. IS PROHIBITED.		
MATERIAL	F65024		
DO NOT SCALE DRAWING			

Lavelle Industries, Inc.		
TITLE: CAPACITOR BOOT		
SIZE B	DWG. NO. M7596	REV
SCALE: 1:1	WEIGHT:	SHEET 1 OF 1

8 7 6 5 4 3 2 1

FILE PATH - N:\CAD\PARTS\STOCK\Syntax\M7596\M7596.siddrw